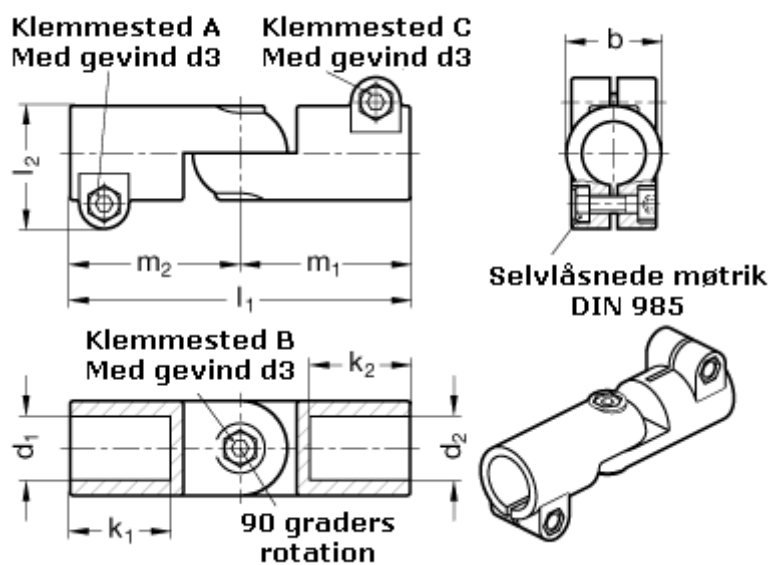


Article number: 20286B45B50S2SW

Description: E+G Swivel clamp connector joint  
GN286-B45-B50-S-2-SW

## Measures



|              |             |
|--------------|-------------|
| $b = 65$     | $m_1 = 115$ |
| $d_1 = B45$  | $m_2 = 115$ |
| $d_2 = B50$  |             |
| $d_3 = M10$  |             |
| $k_1 = 74.0$ |             |
| $k_2 = 74.0$ |             |
| $l_1 = 230$  |             |
| $l_2 = 77.5$ |             |